



HEADBOARD
FRAME BED



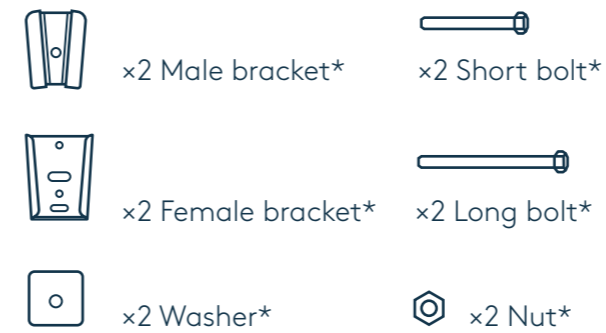
ASSEMBLY INSTRUCTIONS

DUX, DUXIANA and DUX Pascal-systems are registered
trademark owed by Dux Design AB 2012.
Printed 2021.02.01

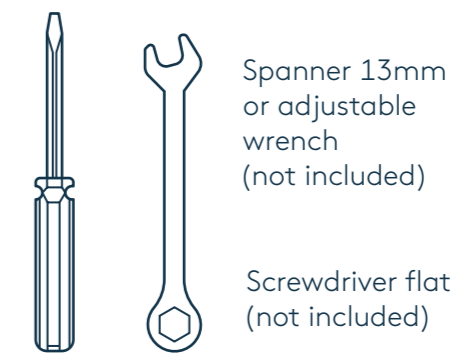
dux.com



HARDWARE



TOOLS NEEDED

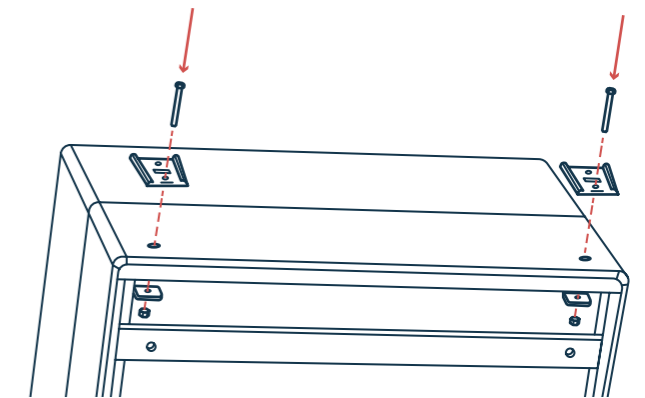


* x4 for queen and king size

ASSEMBLING

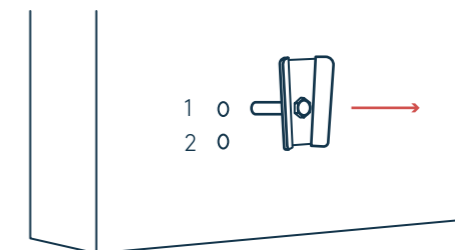
I. FASTEN FEMALE BRACKET-BED

Fasten female brackets to the bed. Locate the pre-drilled holes at the head of the bed and pull out the plastic bolt. Bolt the female brackets through the pre-drilled holes and place a washer then nut on the bolt under the bed. Make sure that the brackets are straight up and down with the narrow end at the bottom, then wrench tighten.

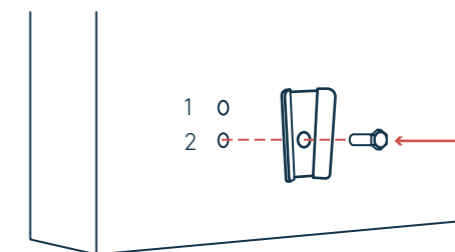


II. FASTEN MALE BRACKETS - HEADBOARD

A Make sure that the fittings are in the right position for you bed. For adapting >120 cm wide beds, place the fittings in the hole market 1. For <140 cm wide beds, move the fittings to hole 2.

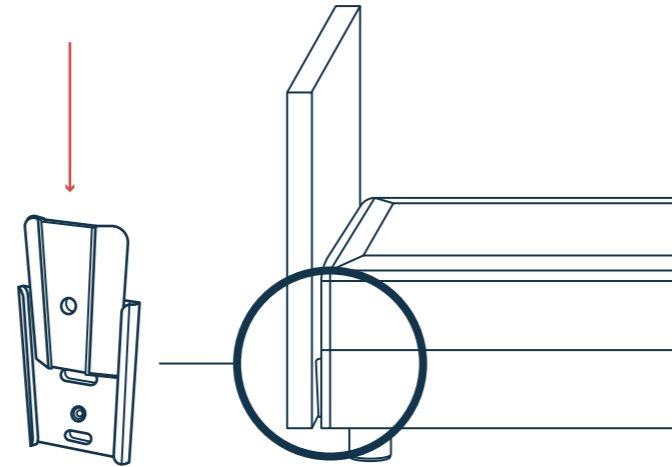


B Make sure that the brackets are straight up and down with the narrow end at the bottom, then wrench tighten.



III. PLACE THE HEADBOARD

Lift the headboard and align the brackets on the headboard over the brackets on the bed and slide the brackets together.



REMOVING THE HEADBOARD

To remove the headboard from the bed, insert a screwdriver into the slot at the bottom of the brackets on the bed and pry upwards until loosened.

